

MC3

Three-phase efficient current transformers



Description

Current transformers specifically designed to be installed above a switch:

- Transformer range from 63 to 250 A
- Secondary 250 mA
- Compatible with **CIRCUTOR's MC** range of products:
CVM-MINI, CVM-NET, CVM-NET4, CVM-C, CVM-B, CDP-0, CDP-G

Applications

Installation in reduced spaces, using the space above the circuit breaker or earth leakage protection devices. In installations where the electric supply can be interrupted to install transformers.

Technical features

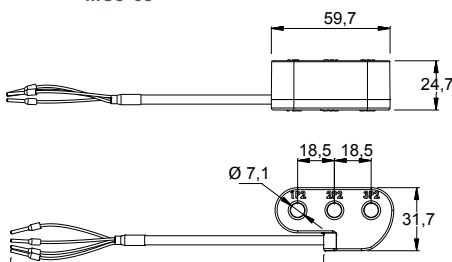
Electrical features		
Frequency	50 / 60 Hz	
Insulation voltage	3 kVac	
Thermal short-circuit current, I_{th}	60 I_n	
Dynamic current, I_{dyn}	2.5 I_{th}	
Highest voltage for the material	0.72 kVac	
Class	0.5	
Thermal class	B (130 °C)	
Type of encapsulation	V0 self-extinguishing plastic	
Safety factor	S _F 5	
Sealable secondary terminals	Yes	
Secondary terminals	IP 20	
Standards	IEC 60044-1	

References

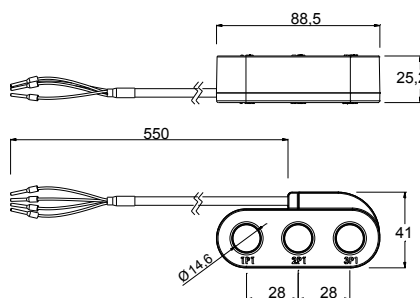
Maximum current	Internal Ø	Type	Code
63 A	7,1 mm	MC3-63	M73121
125 A	14,6 mm	MC3-125	M73122
250 A	26 mm	MC3-250	M73123

Dimensions

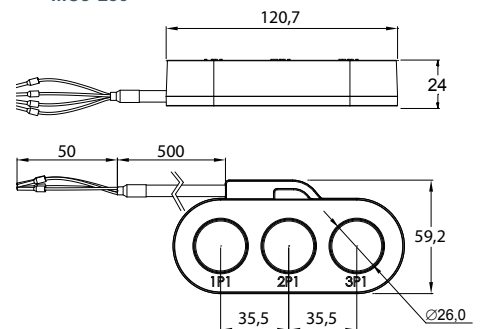
MC3-63



MC3-125



MC3-250



Connections

